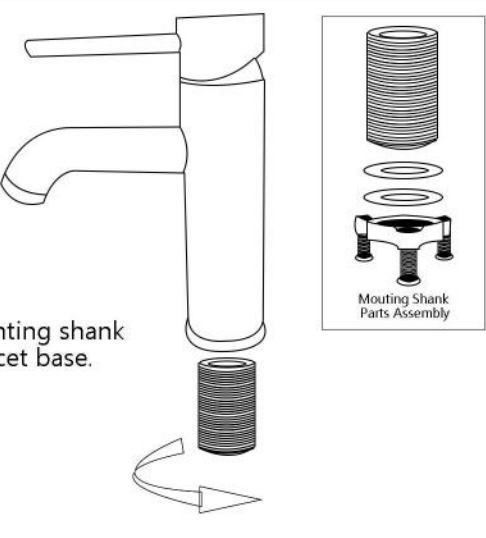


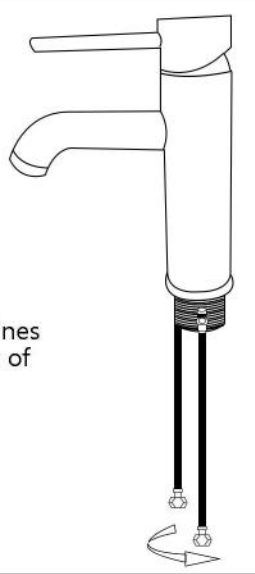
Vanity Faucet / Drain Installation

1.



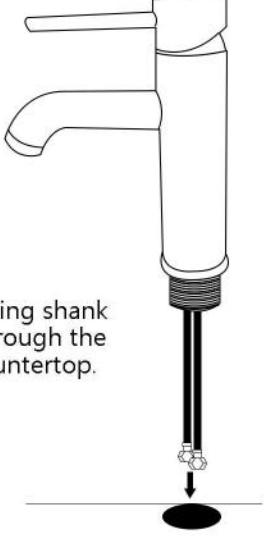
Screw the mounting shank into the faucet base.

2.



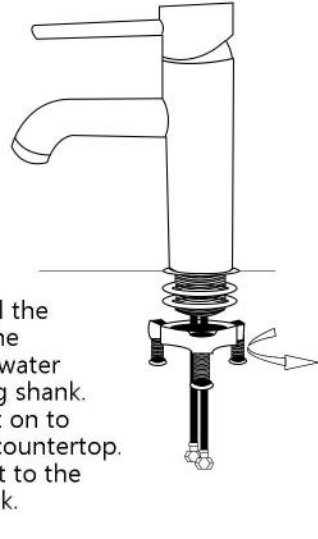
Screw the two water supply lines into the holes in the bottom of the faucet body.

3.




From above, insert the mounting shank and the water supply lines through the hole on the sink or in the countertop.

4.



From underneath, feed the plastic washer and the mounting nut over the water supply lines and mounting shank. Thread the mounting nut on to the underside of the sink or countertop. Tighten the mounting nut to the underside of the sink.

5.

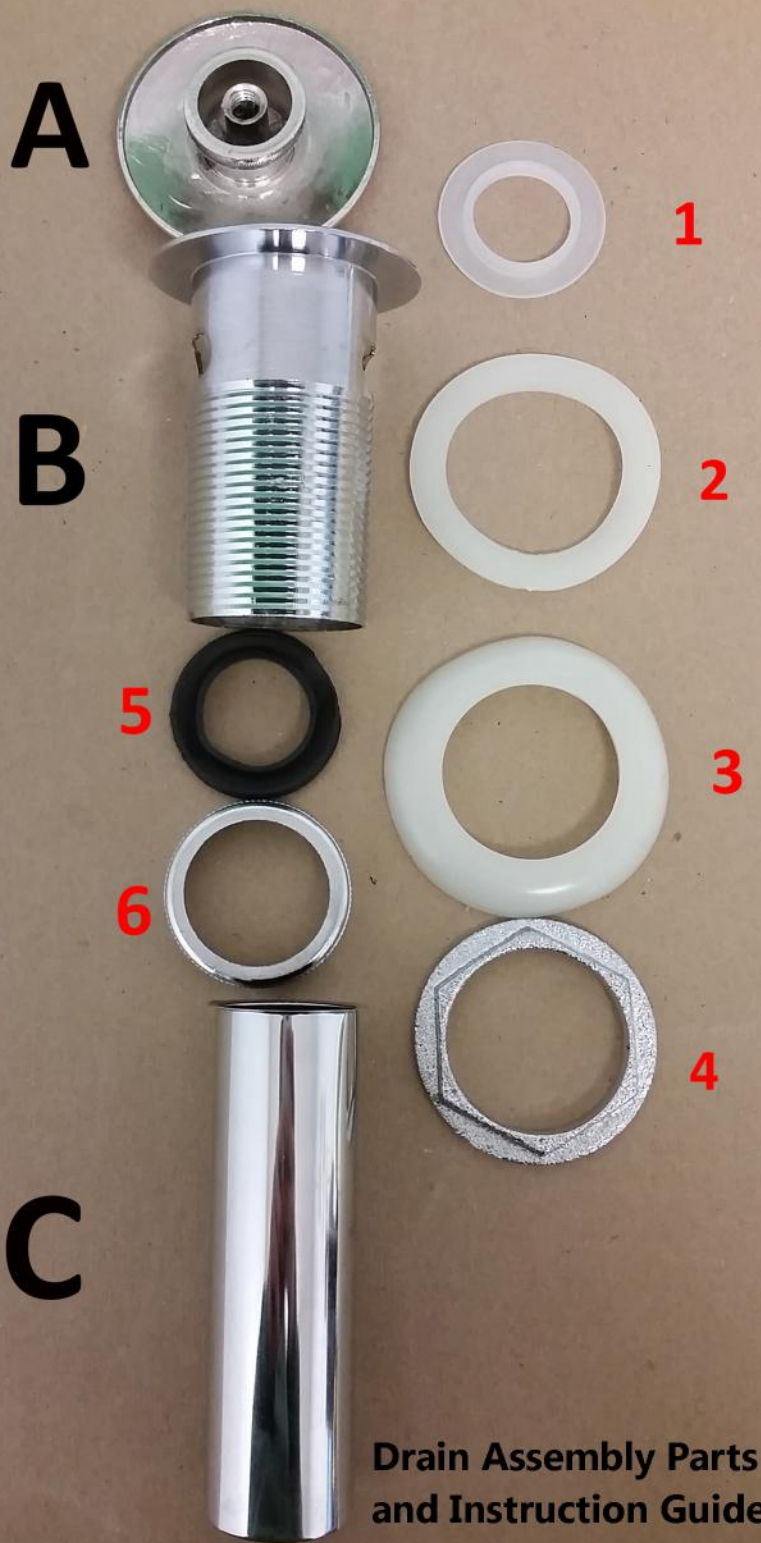


Tighten the mounting nut until it is firmly secured on the underside of the sink or countertop. Finally, tighten the screws in the mounting nut until no further movement remains.



Call us at :

866-488-8827




Drain Assembly Parts and Instruction Guide

Step 1:




The smaller, white washer (Item 1), will be installed directly underneath the drain cap (Item A).

Step 5:



The black washer (Item 5) is used to create a seal between the drain assembly (Item B) and the drain tail piece (Item C). Ensure the "lip" of the washer is facing down, into the tail piece.
*Tail piece (Item C) also has a lip. Make sure the black washer (Item 5) is inserted ("lip" facing down) on the end of the tail piece (Item C), that also has a "lip."

Step 2:




The flat, white washer (Item 2) will be placed underneath the lip of the drain assembly (Item B). It will be used to create a seal for the drain hole in your sink. (At this point you should put the drain assembly in the sink hole.)

Step 6:



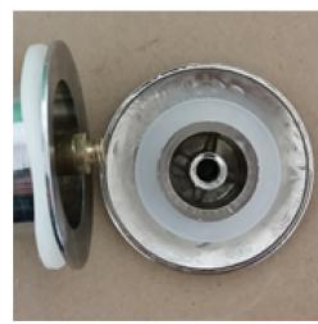
Before proceeding to the next step, it is highly advised that plumber's tape/putty is applied around the threads, in order to create an even stronger, lasting seal.

Step 3:



The thicker silicone, white washer (Item 3), will slide up the drain assembly (Item B), from underneath the sink. This will create a seal on the underside of the sink.
**Please make sure the "lip" of (Item 3) is facing up, towards the sink.

Step 7:




Screw on the drain cap (Item A) to the copper nipple coming out of the drain assembly (Item B).

Step 4:



Hand tighten the lock nut (Item 4), against the thick silicone, white washer (Item 3) underneath the sink.
*Tightening too tight may break the washer.
**Ensure washer (Item 3) keeps its shape while tightening. Failing to do this may complicate the final seal, causing a leak.

Step 8:



Once all seven steps have successfully been completed, your drain should be free of leaks and assembled appropriately.
*It is important to ensure each washer is in the correct position before tightening.
*Initially, tighten appropriate components **BY HAND ONLY!**
*If assembled incorrectly, or fastened too tight, the rubber washers may break or not seal correctly.
*Repeatedly screwing and unscrewing parts may also result in defective washers.